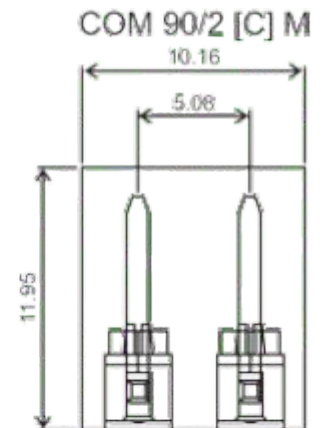
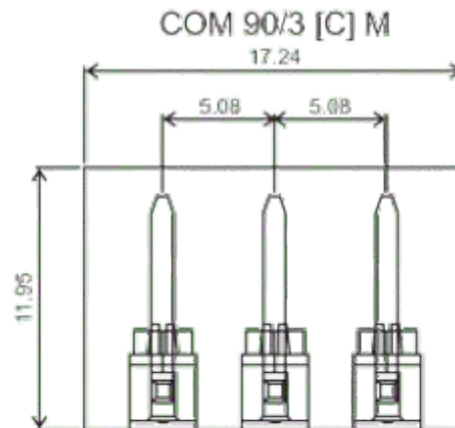
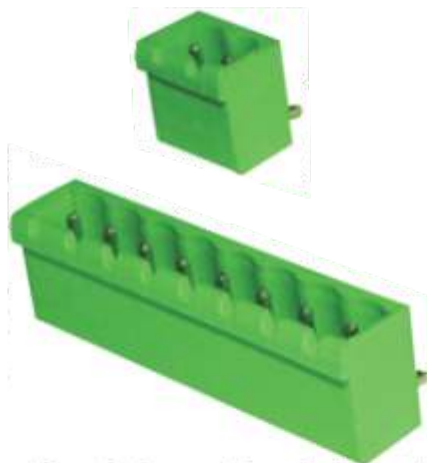


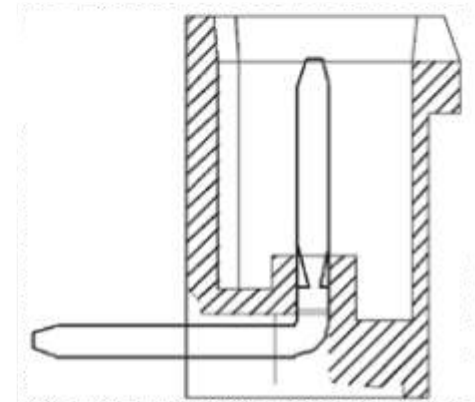
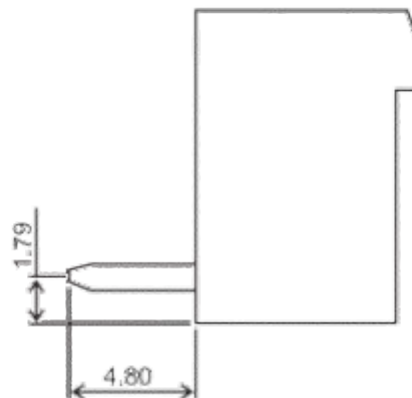
Manufacturer of PCB Terminal Blocks, Fuse Holders, Barrier Terminals, & Switches

Screw Type (Cage-Clamp Pluggable Design) Connectors

Series COM 90 M



[C] Close Type (With Side Walls)



TECHNICAL SPECIFICATIONS :

Pitch	: 5.08 mm
Nominal Rating	: 12A/300V
Dielectric Strength	: > 2kV
Moulded Material	: Polyamide (Nylon) 66 - UL94 V0 or V2
Insulation Resistance	: > 1000 M Ω @ 500 Vdc
Terminal	: Tin Plated Copper Alloy

Approval Data

UL : 300V / 12A / 28-12 AWG
cUL : 300V / 12A / 28-12 AWG
CE : 300V / 15A / 28-12 AWG

ORDERING CODE

Series	Poles	Grade
--------	-------	-------

→ COM 90/n [C] M P ←

n = Number of poles : 2 To 14
Grade : P or C

P = Professional Grade
C = Economy Grade